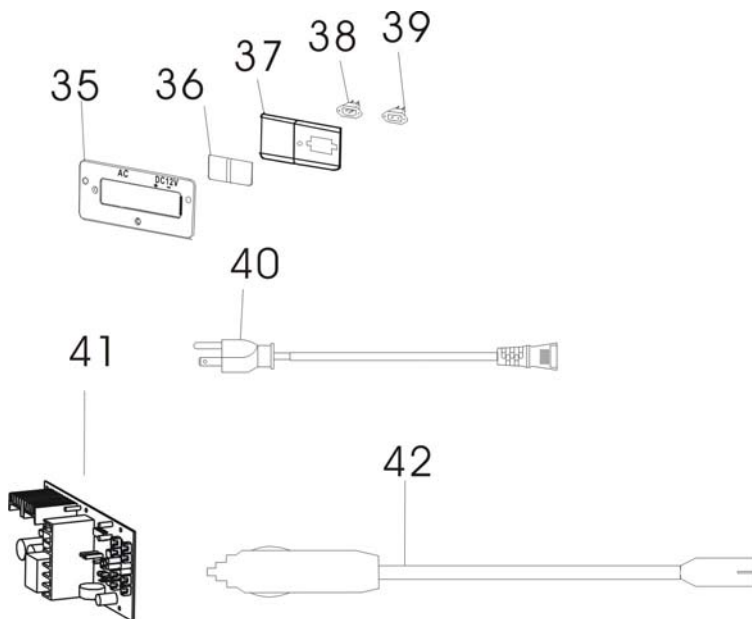
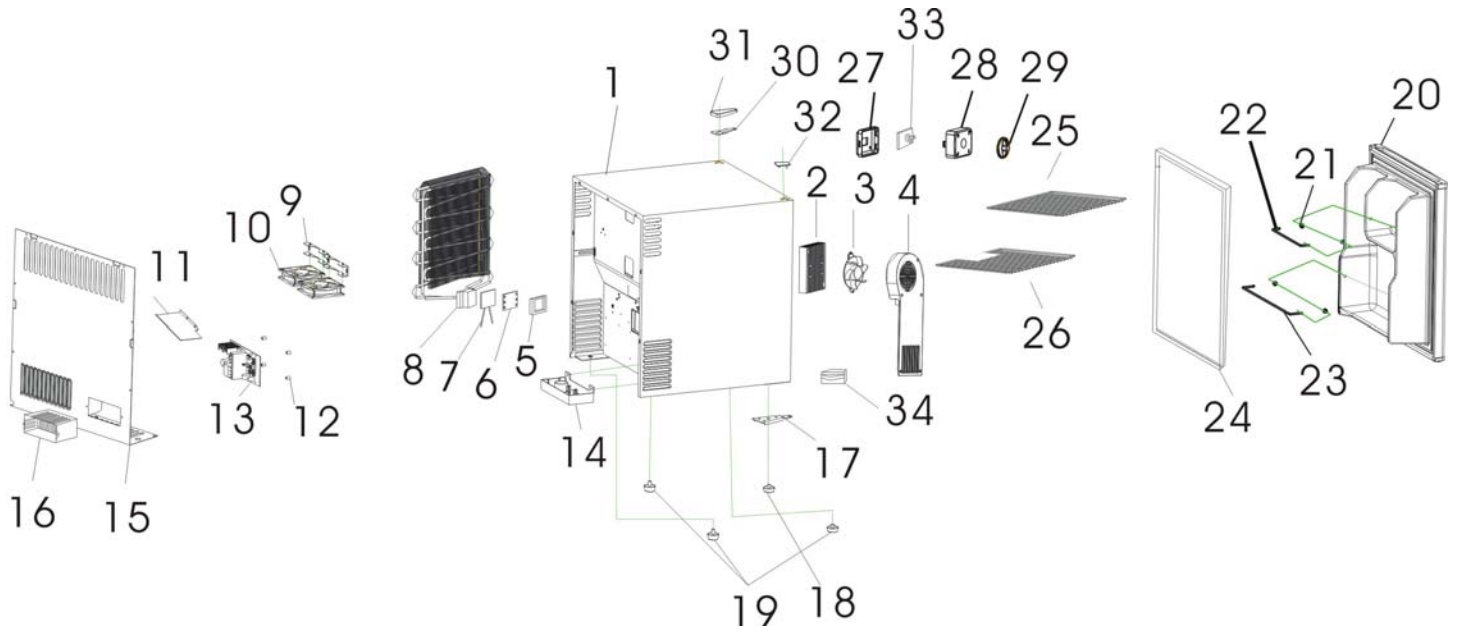


10. EXPLOSION VIEWS & PARTS LISTS

1.1.1 SHP1700W / SHP1701B / SHP1702SS /SHP1703PS/SHP1712SDC Exploded View



FOR SHP1712SDC ONLY

**1.1.2 SHP1700W / SHP1701B / SHP1702SS
/SHP1703PS/SHP1712SDC part list**

Item	Spare parts Name	Quantity(PCS)
1	Cabinet	1
2	Aluminum cooling block	1
3	Cold sink fan	1
4	Cold sink fan cover	1
5	EVA washer	1
6	Cooling sheet	1
7	Cooling module	1
8	Heat pipe	1
9	Heat sink fan bracket	2
10	Heat sink fan	2
11	Water break	1
12	PCB holder	4
13	PCB	1
14	Water drip tray	1
15	Back cover	1
16	Power cord storage box	1
17	Bottom hinge	1
18	Low rubber leg	1
19	High rubber leg	3
20	Door	1
21	Plastic cover for door fixing bar	4
22	Short door fixing bar	1
23	Long door fixing bar	1
24	Door Gasket	1
25	Big shelf	1
26	Small shelf	1
27	Control box base	1
28	Control box cover	1
29	Knob	1
30	Upper hinge	1
31	Upper hinge cover	1
32	Plastic cover	1
33	Control PCB	1
34	On and off switch	1

FOR SHP1712SDC ONLY

Item	Spare parts Name	Quantity(PCS)
35	ACDC cover(Exterior)	1
36	ACDC sliding cover	1
37	ACDC cover(Interior)	1
38	AC socket	1
39	DC socket	1
40	AC power cable(Detachable)	1
41	PCB	1
42	DC power cable(Detachable)	1